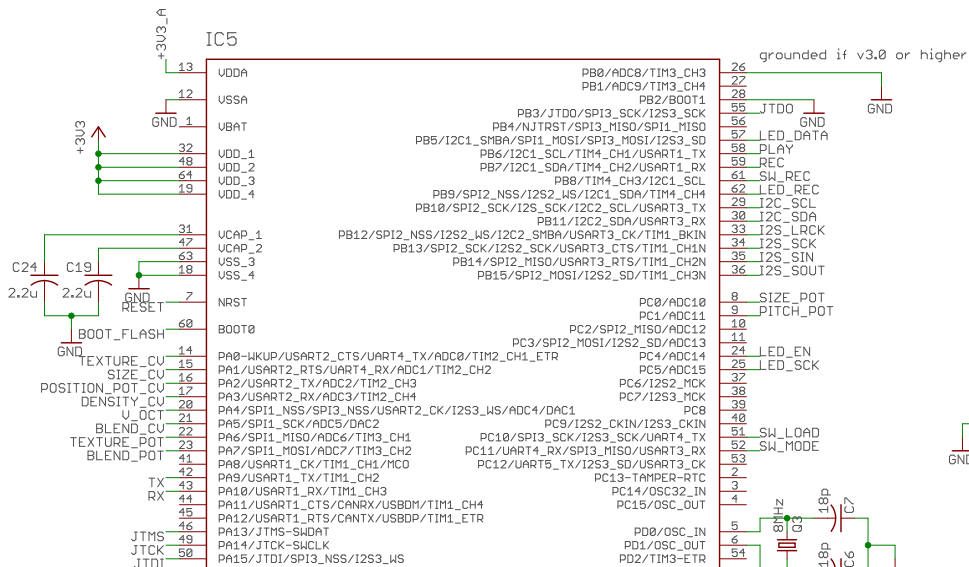
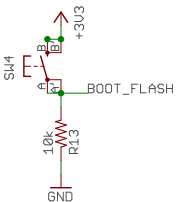
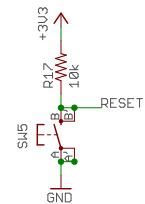
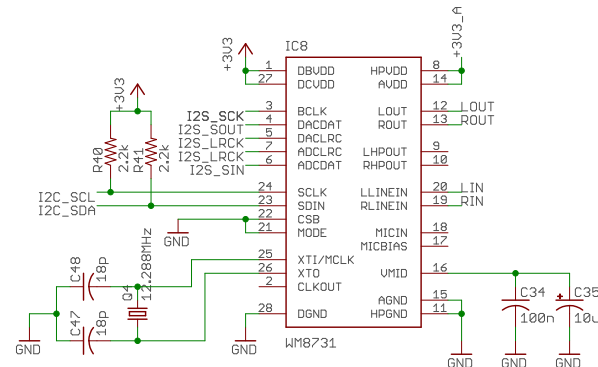
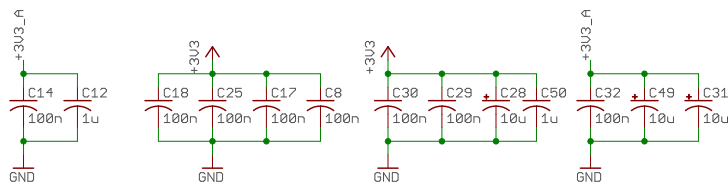


Serial / System Bootloader

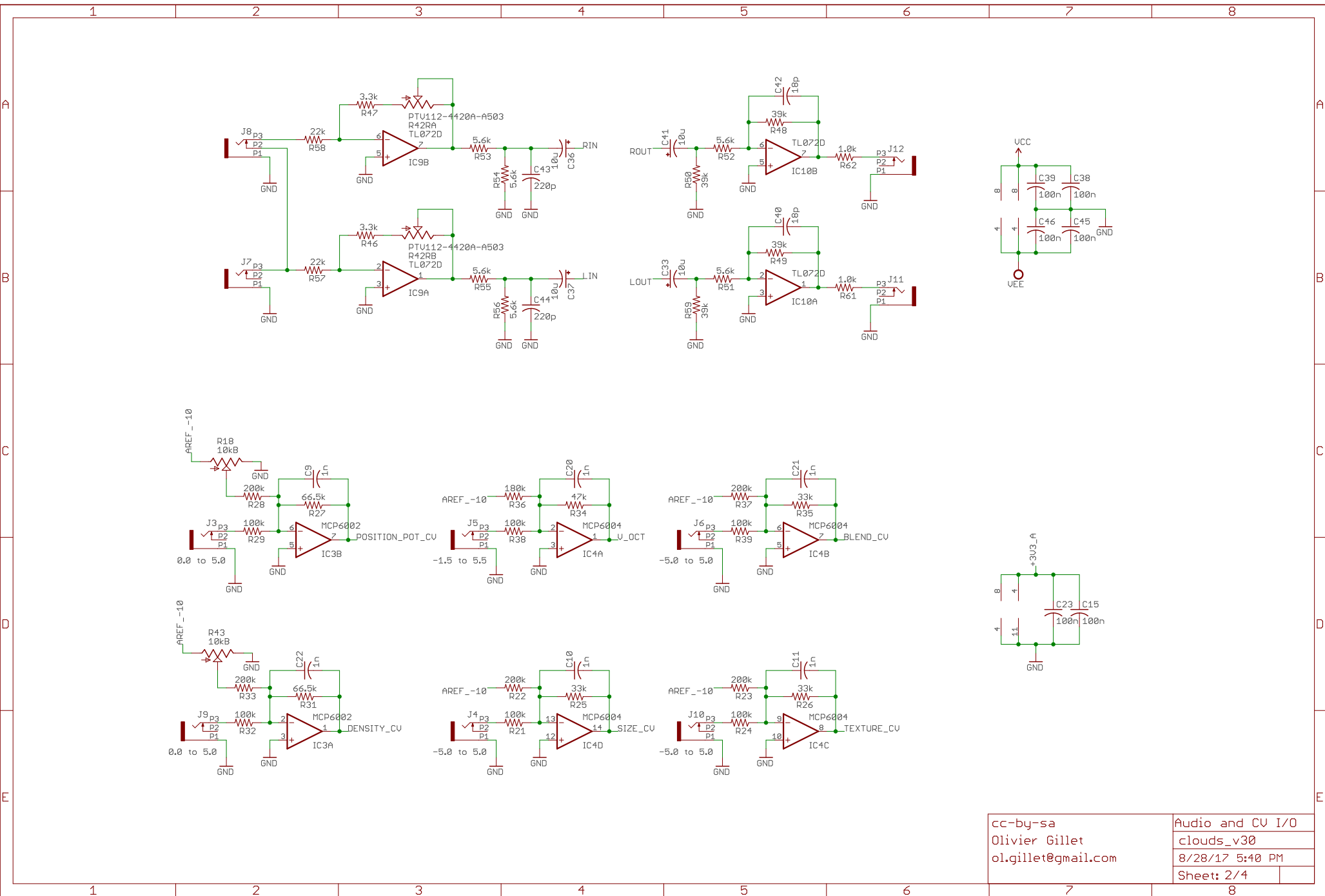


STM32F405RGT6

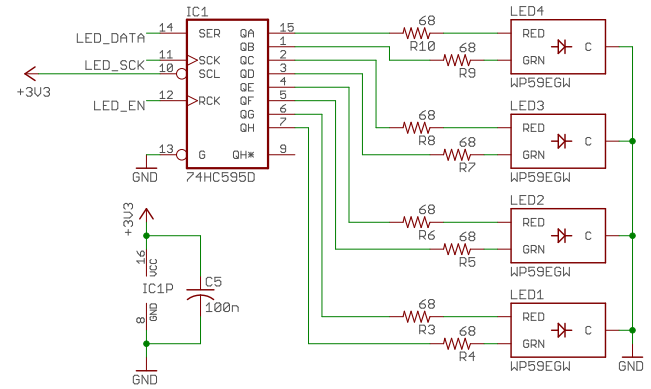
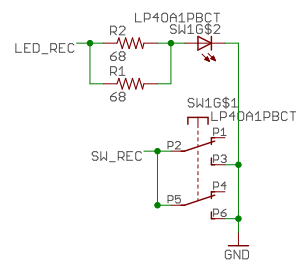
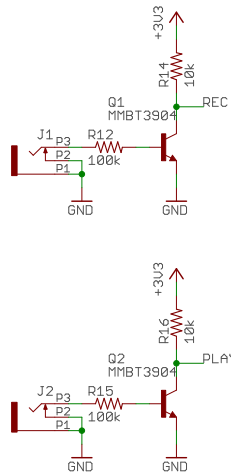
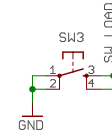
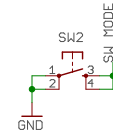
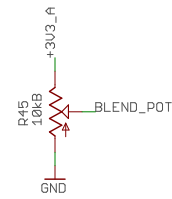
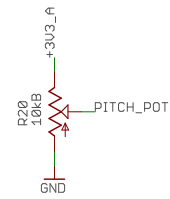
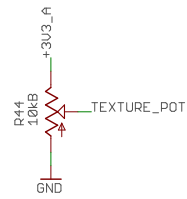
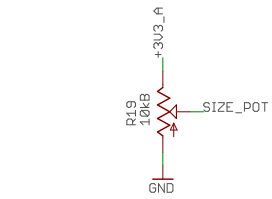


⊗ ⊗ ⊗ ⊗

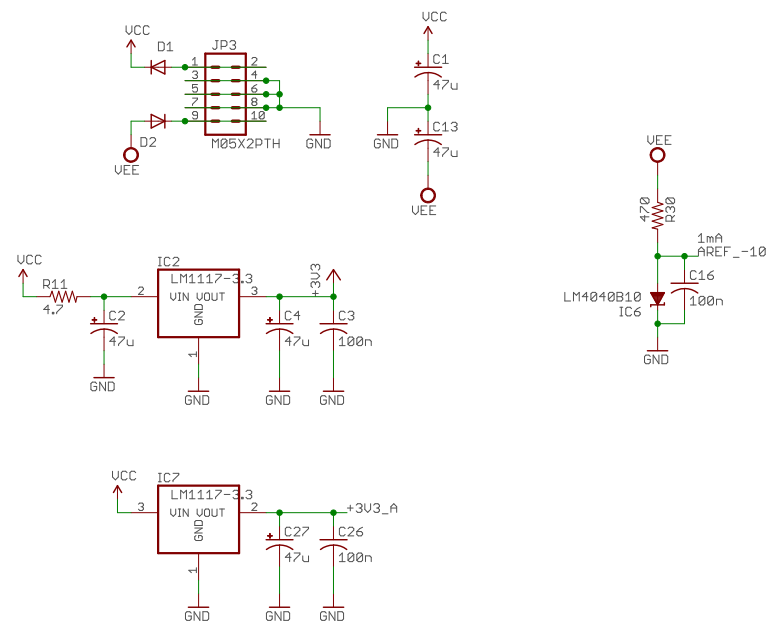
| | |
|---------------------|-----------------|
| cc-by-sa | Main processor |
| Olivier Gillet | clouds_v30 |
| ol.gillet@gmail.com | 8/28/17 5:40 PM |
| | Sheet: 1/4 |



| | |
|---------------------|------------------|
| cc-by-sa | Audio and CU I/O |
| Olivier Gillet | clouds_v30 |
| ol.gillet@gmail.com | 8/28/17 5:40 PM |
| | Sheet: 2/4 |



| | |
|---------------------|-----------------|
| cc-by-sa | User interface |
| Olivier Gillet | clouds_v30 |
| ol.gillet@gmail.com | 8/28/17 5:40 PM |
| | Sheet: 3/4 |



| | |
|---------------------|-----------------|
| cc-by-sa | Supply |
| Olivier Gillet | clouds_v30 |
| ol.gillet@gmail.com | 8/28/17 5:40 PM |
| | Sheet: 4/4 |