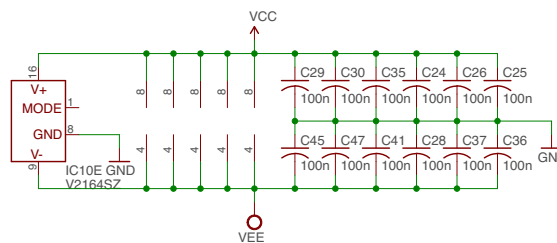
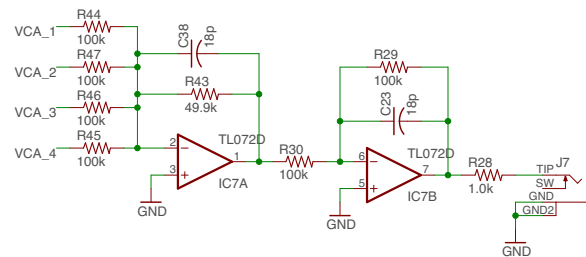
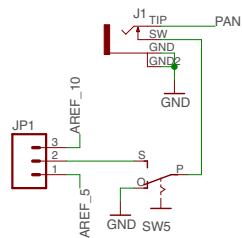
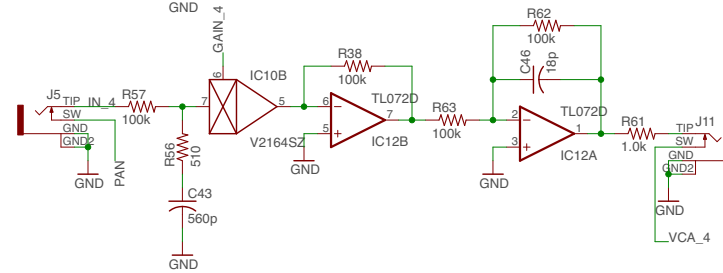
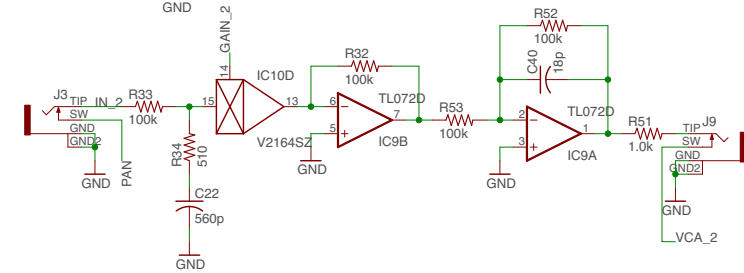
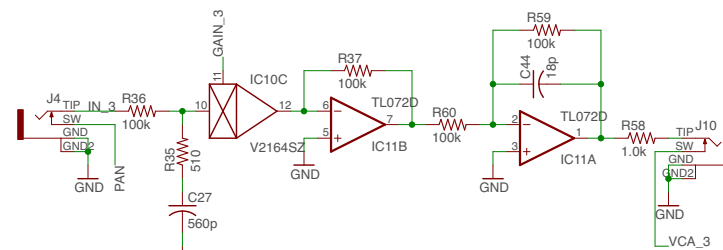
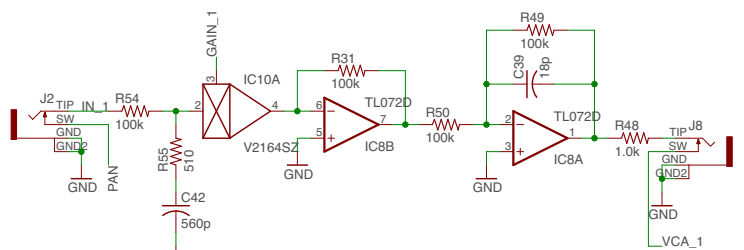


| | |
|---|-----------------|
| cc-by-sa Olivier Gillet ol.gillet@gmail.com | Digital section |
| | frames_v03 |
| | 8/28/17 5:40 PM |
| | Sheet: 1/3 |



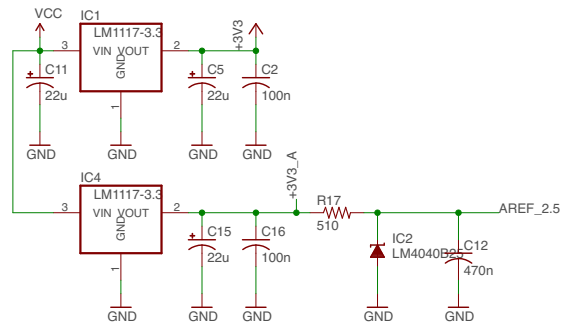
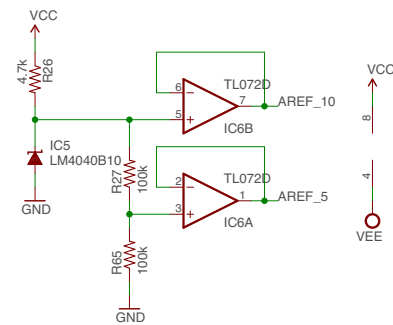
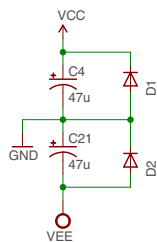
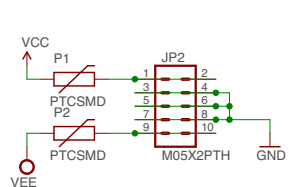
cc-by-sa
Olivier Gillet
ol.gillet@gmail.com

Analog Section

frames_v03

8/28/17 5:40 PM

Sheet: 2/3



| | |
|---|-----------------|
| cc-by-sa Olivier Gillet ol.gillet@gmail.com | Power supply |
| | frames_v03 |
| | 8/28/17 5:40 PM |
| | Sheet: 3/3 |