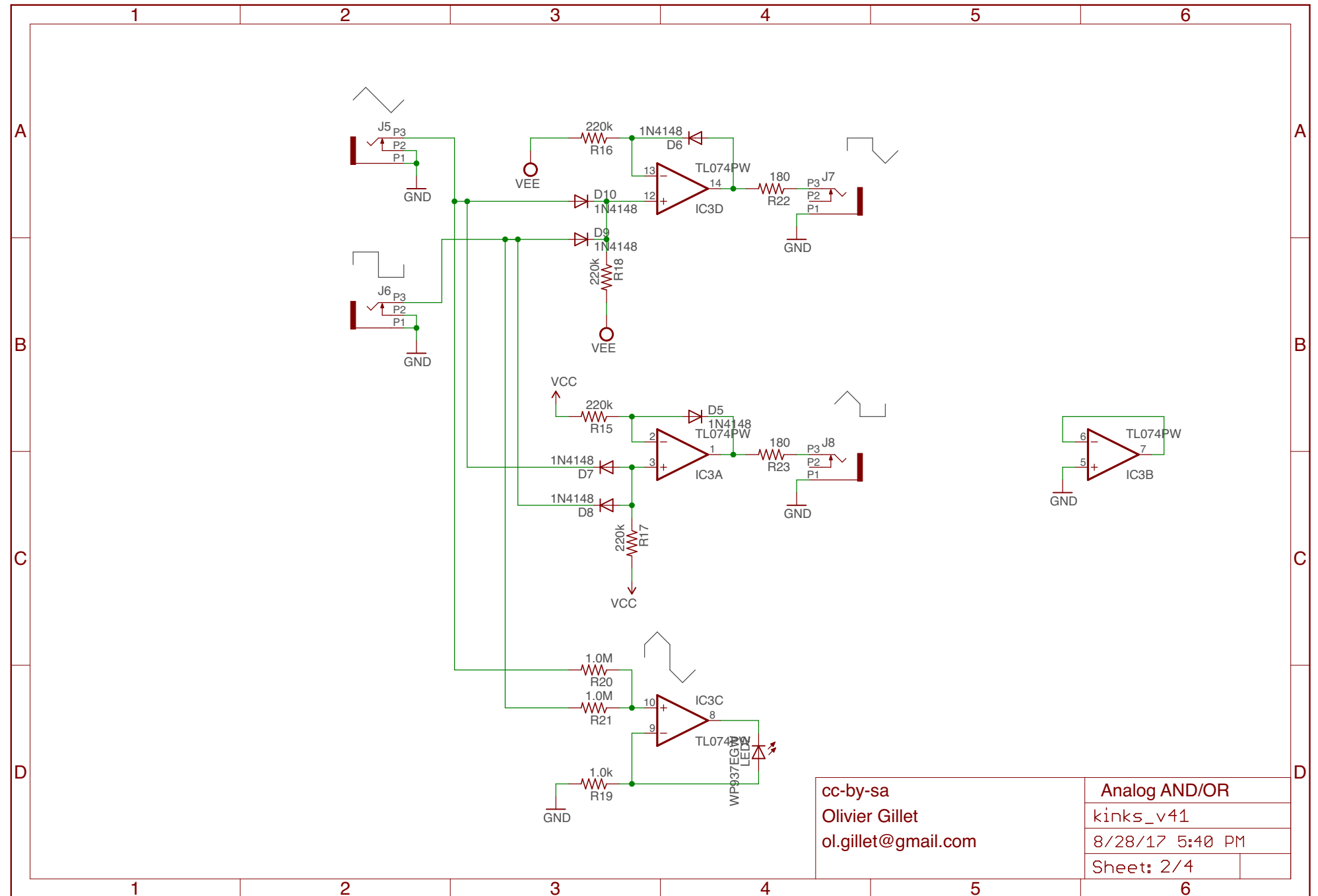


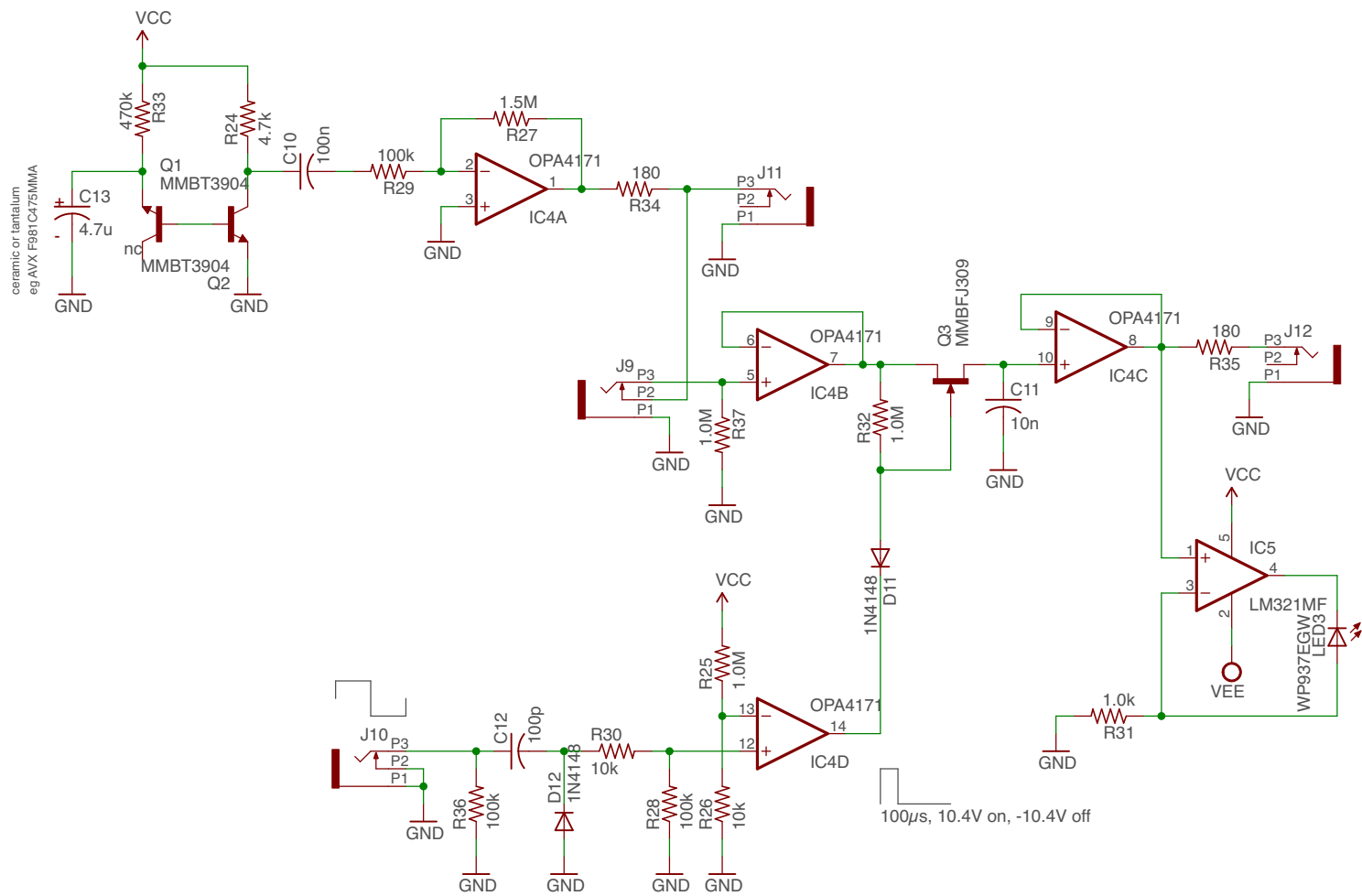
cc-by-sa
 Olivier Gillet
 ol.gillet@gmail.com

HW/FW rectifiers
 kinks_v41
 8/28/17 5:40 PM
 Sheet: 1/4



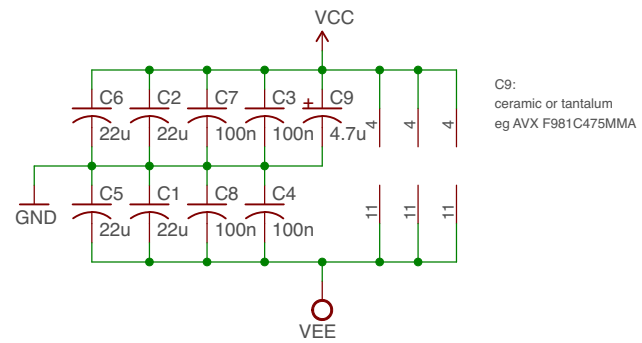
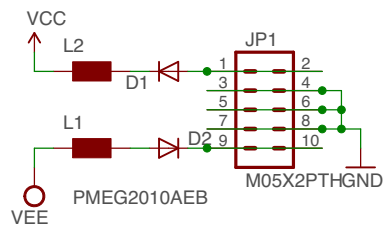
cc-by-sa
 Olivier Gillet
 ol.gillet@gmail.com

Analog AND/OR	
kinks_v41	
8/28/17 5:40 PM	
Sheet: 2/4	



cc-by-sa
 Olivier Gillet
 ol.gillet@gmail.com

Sample and hold
 kinks_v41
 8/28/17 5:40 PM
 Sheet: 3/4



cc-by-sa
Olivier Gillet
ol.gillet@gmail.com

Power entry
kinks_v41
8/28/17 5:40 PM
Sheet: 4/4